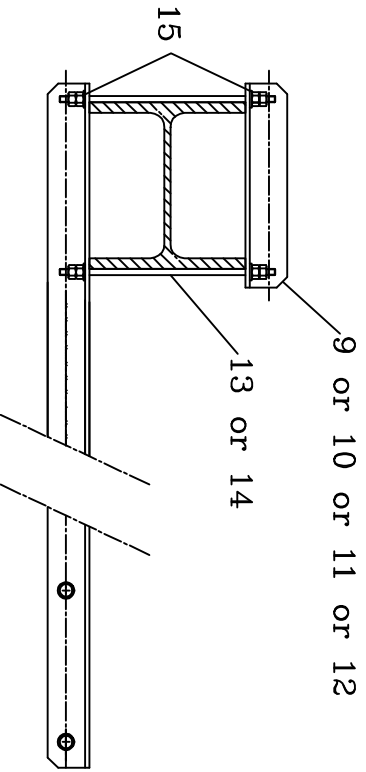
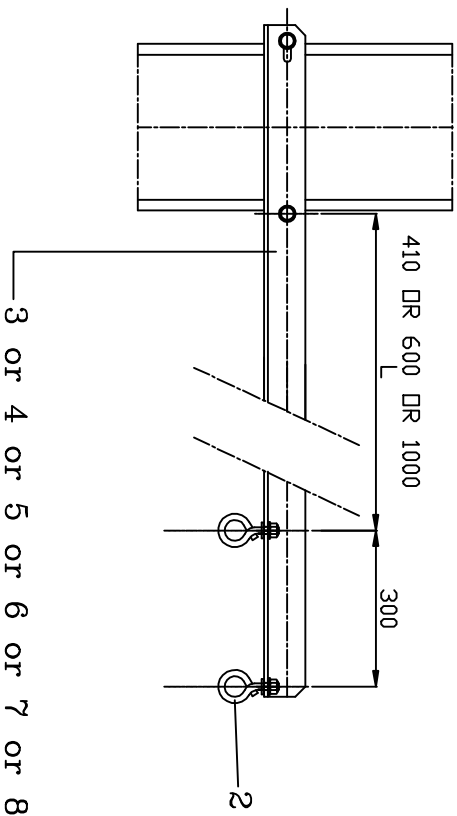


	L		
	410	600	1000
FRDM HE 200 TD HE240	111	112	113
	PR20102	PR20103	PR20104
FRDM HE 260 TD HE320	211	212	213
	PR20788	PR20396	PR20789



MARK GROUP	QUANTITY		ITEM	DESIGNATION	UNIT MASS	REFERENCE DRAWING	MARK
213	2	2	2	PULLEY SUPPORT RING (TYPE A)	0,24	ELC/CF0-3-150 B	111
212	1	1	7	SUPPORT FOR TWO OPTICAL FIBERS L=600	12,24	03L000BDG106	212
211	1	1	6	SUPPORT FOR TWO OPTICAL FIBERS L=410	5,86	03L000BDG106	211
113	1	1	5	SUPPORT FOR TWO OPTICAL FIBERS L=1000	15,39	03L000BDG106	113
112	1	1	4	SUPPORT FOR TWO OPTICAL FIBERS L=600	11,54	03L000BDG106	112
111	1	1	3	SUPPORT FOR TWO OPTICAL FIBERS L=410	5,46	03L000BDG106	111
	4	4	15	WASHER M12	0,03	03L000BDG142	12A110
	2	2	14	THREADED ROD M12-400/100	0,35	03L000BDG141	12B1D2
			13	THREADED ROD M12-350/100	0,30	03L000BDG141	12B1C2
	1	1	12	COUNTERPLATE FOR TWO OPTICAL FIBERS	0,84	03L000BDG087	204
	1	1	11	COUNTERPLATE FOR TWO OPTICAL FIBERS	0,84	03L000BDG087	203
	1	1	10	COUNTERPLATE FOR TWO OPTICAL FIBERS	0,67	03L000BDG087	104
			9	COUNTERPLATE FOR TWO OPTICAL FIBERS	0,67	03L000BDG087	103
	1	1	8	SUPPORT FOR TWO OPTICAL FIBERS L=1000	16,1	03L000BDG106	213

Projectat		Material:	
Desenat			
Verificat			
Contr. STAS			
Aprobat			
		Scara:	BRACKET FOR TWO OPTICAL FIBERS
			BDC055
			CONSOIA F.O. PT. 2 CABLE PE STALP H

DIRECTIA INDUSTRIE



Data:

201102;20103;20104;20788;20396;20789

Pag.