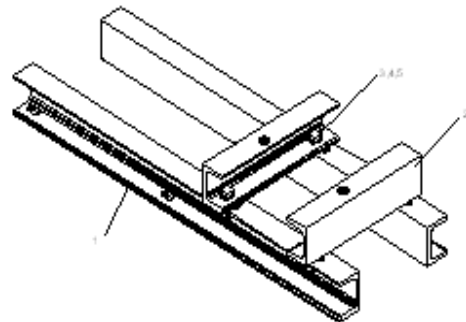
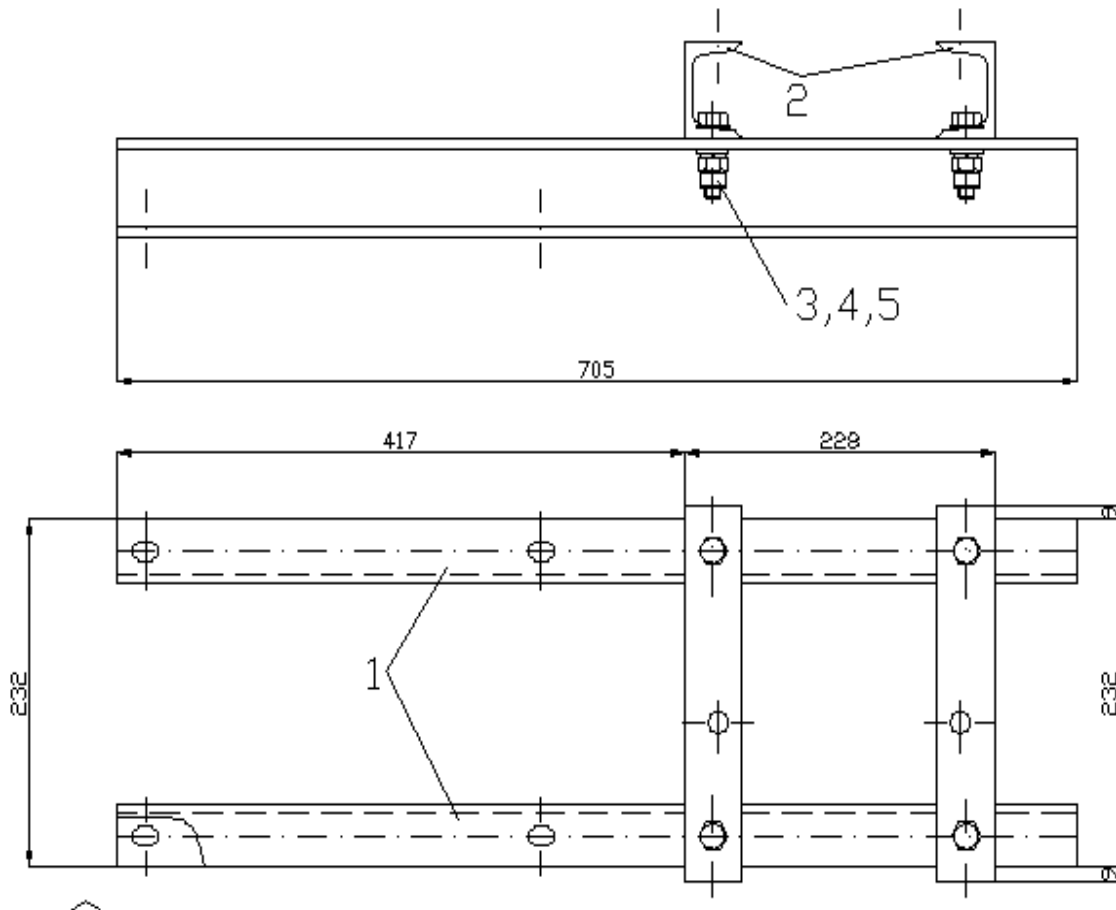


1 2 3 4 5 6 7 8 9 10



5	Selba Washer	03L00006142 - 12A11	8 pos.	
4	Selba Washer	03L00006142 - 12A51	8 pos.	
3	Serb Threaded bolt	03L00006144 - 1213G1	4 pos.	
2	Profile II - atarga si dracul Profile II - left and right	03EA0106E117 wheel 5/5	2 pos.	
1	Profile II - atarga si dracul Profile I - left and right	03EA0106E117 wheel 4/5	2 pos.	
REF / ITEM	DENUMIRE REFERINTA / ITEM DESIGNATION		REFERINTA DHS / DHS REFERENCE	CANTITATE / QUANTITY

LISTA DE COMPONENTA / ITEM LIST

To fabrica copiere, modificari, suprascrieri sau referinta la alte suport, fara permisiunea proiectantului desenat  
Property of holder entity, cannot be distributed or registered without authorization

Drawing Title: **Supori suplimentar separator-vedere plana**  
Descriptive Name: **Disconnector supplementary support-planar view**

Faza de proiectare / design phase	Numele fabricii / CAD file name:	Scara / Scale:	Lot	Spec.	Obiect	Type doc.	No.	Part	Rev.	Status
DDE	03EA000DE117		03	EA	00	DDE	117	3 / 5	A	.

