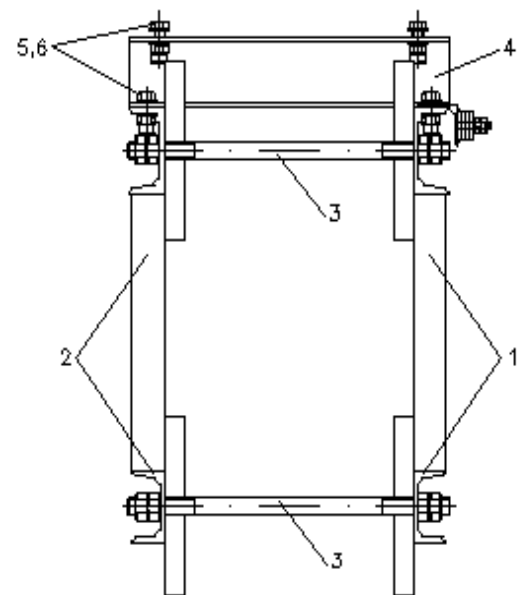
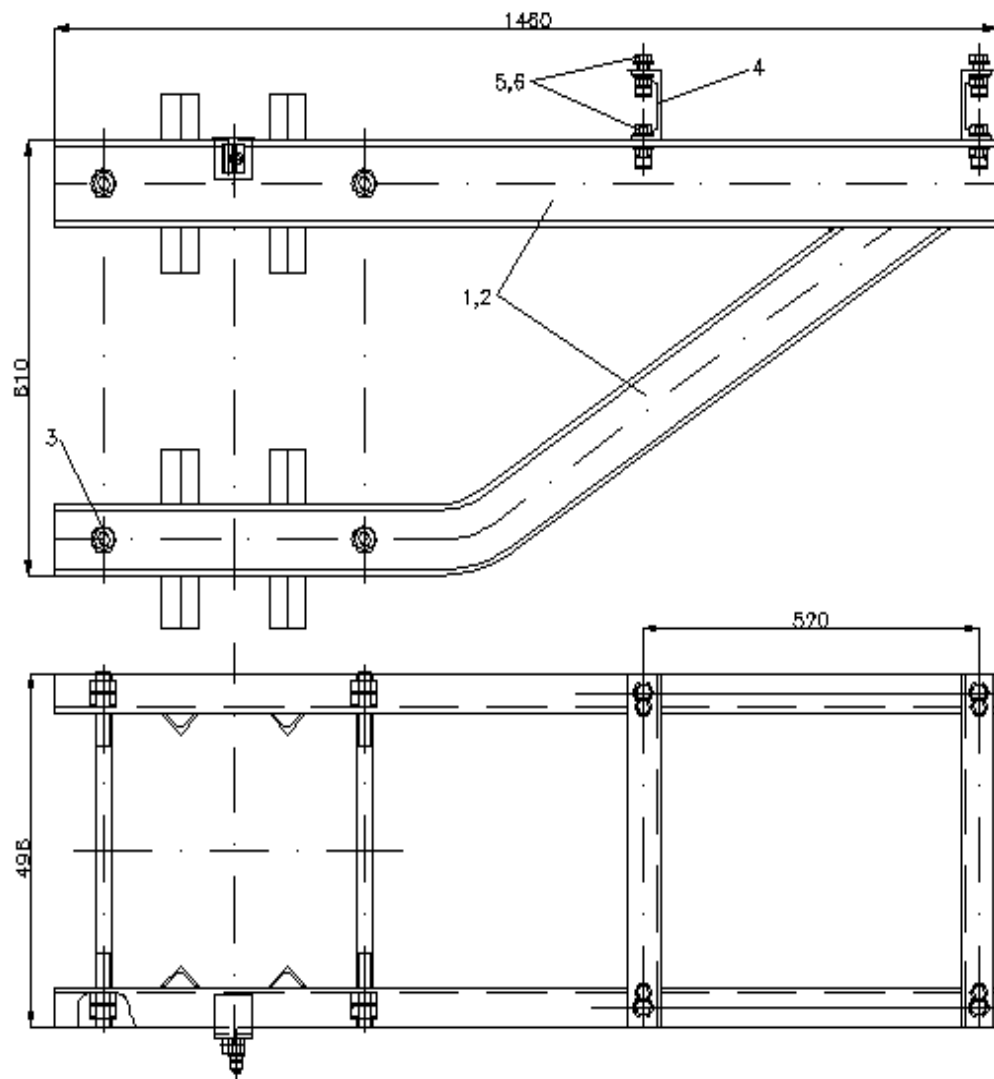


1 2 3 4 5 6 7 8 9 10



6	Solte plate Washer	03L00006142 - 16x11	16 pcs.	
5	Surub Threaded bolt	03L00006144 - 16x3,1	6 pcs.	
4	Profil U10 Profile U10	03EA000E136 sheet 5,7	2 pcs.	
3	Bata Threaded rod	03L00006141 - 3x11F2	4 pcs.	
2	Subansamblu II Subassembly II	03EA000E138 sheet 5,7	1 pcs.	
1	Subansamblu I Subassembly I	03EA000E136 sheet 4,7	1 pcs.	
REF / ITEM	DENUMIRE REFERINTA / ITEM DESIGNATION		REFERINTA DWG / DWG REFERENCE	CANTITATE QUANTITY

LISTA DE COMPONENTA / ITEM LIST

Se permite reproduserea, distribuirea sau utilizarea in scopuri tehnice fara restrictii, cu mentiunea sursei. Reproduction, distribution or use for technical purposes is allowed without restriction, provided the source is mentioned.

Drawing Title: **SUPPORT TRAFU 63kVA STALP SECP6**
 Drawing Code: **TRAFU 63kVA SUPPORT SECP6 POLE**

Faza de proiectare / design phase	Numarul fișierului / CAD file name	Scara / Scale	Ltr	Spec.	Obiect	Type des.	No.	Part	Rev.	Statut
DDE	03EA000E136		03	EA	00	DDE	136	3 / 7	A	.

